

by phone 02331 6245-444 · by fax 02331 6245-200 · by e-mail technik@eurotec.team

Please contact our technical department or use the free [calculation services](#) in the service section of our website.

Contact

Trader:	_____	Contractor:	_____
Contact person:	_____	Contact person:	_____
e-mail:	_____	Phone:	_____
Project:	_____	e-mail:	_____

Project details

Utilisation

(to determine the loading capacity)

- private (close to ground level)
 private (Roof terraces, balconies, loggias)
 public
 Visible fastening
 Hidden fastening

Length Side A: _____ m
(running in direction of the substructure)

Length Side B: _____ m
(running in direction of the boards)

Centre distance e: _____ m
(substructure spacing)

Total assembly height from _____ to _____ mm
(Top edge of ground/finished floor/roof ↔ Top edge of board)

Nivello 2.0 required: Yes No
(to compensate a sloped subsurface)

Dimensions of decking boards: _____ mm
(Strenght x width)

Boards grooved: Yes No
(if yes, please enclose a sketch showing groove)

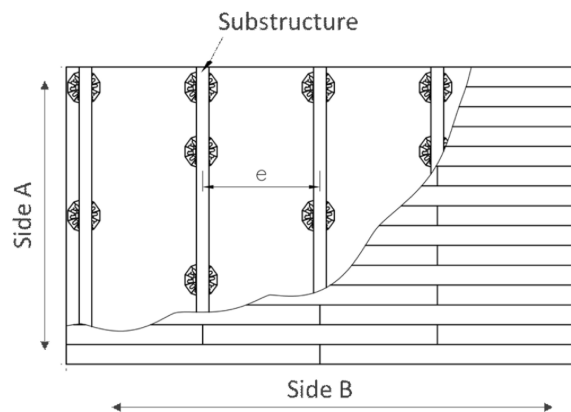
Type of wood: _____

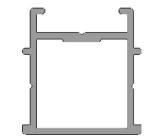
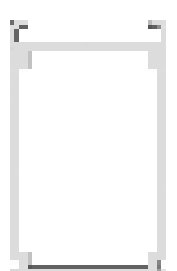



Timber substructure

Dimensions of joist: _____ mm
(Length x width)

Timber type of joist: _____

Deck edging end profile: Yes No



- | | |
|---|---|
| <input type="checkbox"/> System profile EVO Light
34 x 32 x 4000 mm
W x H x L
 | <input type="checkbox"/> Support profile HKP
60 x 100 x 4000 mm
W x H x L
 |
| <input type="checkbox"/> System profile EVO
60 x 40 x 4000 mm
W x H x L
 | <input type="checkbox"/> System profile EVO Slim
60 x 20 x 4000 mm
W x H x L
 |
| <input type="checkbox"/> System profile Eveco*
39 x 24 x 4000 mm
W x H x L
 | |

*e.g. in connection with Systemclip ECO



Sketch incl. dimensions:

A large, empty grid of small squares, intended for drawing a sketch of a timber deck with dimensions.